

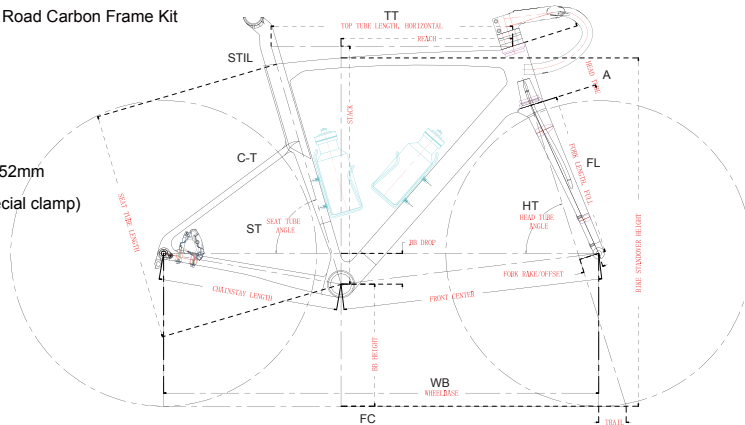
**LCR017-D**

**Super Light**



700C Super Light Disc Brake Road Carbon Frame Kit

- Finish: UD
- Size: 49/52/54/56/58cm
- Weight A: 870g/52cm
- Weight B: 1050g/52cm
- Head tube: integrated 52mm/52mm
- Seat post: special shape (special clamp)
- Stem: 90/100/110/120mm
- Handlebar: 380/400/420mm
- BB shell: T47\*P1.0
- Dropout: TA 12\*142mm
- Fork: TA 12\*100mm
- Brake: Flat monut
- Tire: 700C\*32C



LCR017-D																	
SIZE	STIL	REACH	TT	STACK	WB	RC	FC	BB DROP	BB HEIGHT	ST	HT	C-T	A	Headtube Height (700*32C)	Offset	FL	TRAIL
490	170	385.1	530	505.4	991.6	410	591.8	70	278	74.5°	71°	480	108	753.6	45	368	62.6
520	190	390.8	540	521.2	988.7	410	588.9	70	278	74°	72°	500	121	772	45	368	62.6
540	210	390.8	550	541.9	990.8	410	590.9	70	278	73.6°	72.5°	522	141	793.1	45	368	62.6
560	230	396.4	565	562.7	998.2	410	598.9	70	278	73.3°	73°	542	161	813	45	368	62.6
580	250	402.1	580	582.9	1007	410	607	70	278	73°	73.3°	560	181	831.3	45	368	62.6

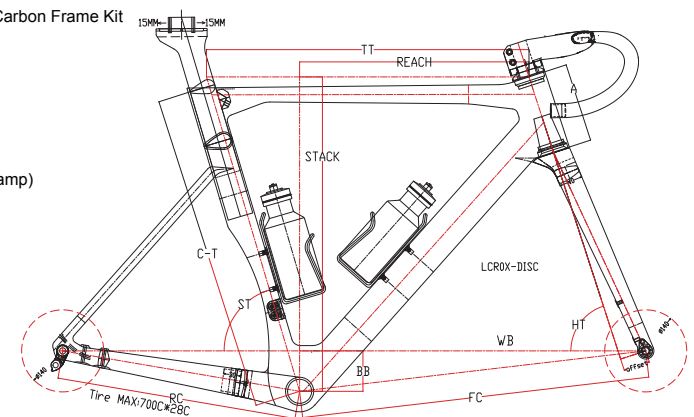
**LCR0X-D**

**Aero Race**



700C Aero Race Disc Brake Road Carbon Frame Kit

- Finish: UD
- Size: 48/51/54/56/59cm
- Weight: 1150g/54cm
- Head tube: integrated 52mm/52mm
- Seat post: special shape (special clamp)
- Stem: 90/100/110/120mm
- Handlebar: 380/400/420/440mm
- BB shell: BB86
- Dropout: TA 12\*142mm
- Fork: TA 12\*100mm
- Brake: Flat monut
- Tire: 700C\*28C



LCR0X-D															
SIZE	C-T	A	offset	TT	HT	ST	BB DROP	RC	WB	FC	RD/FD DISC	STACK	REACH	Handbar	
480	480	115	45	520	71.5	73.5	69	410	968.3	568.4	Inner	506.1	371.1	STEM 90/100 110/120 Bar 400/420 440	
510	510	130	45	535	71.5	73.5	69	410	983.9	583.8		529.8	379.1		
540	540	135	45	550	72	73.5	69	410	994.6	594.5		536.3	391.3		
560	560	150	45	560	72	73.5	69	410	1004.9	604.6		550.6	396.9		
590	580	175	45	575	72	73.5	69	410	1020.6	620.2		574.4	404.9		

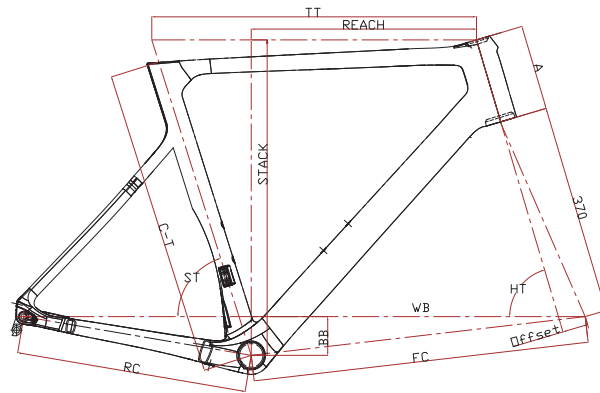
## LCR015-D

### Aero Race



700C Aero Race Disc Brake Road Carbon Frame Kit

- Finish: UD
- Size: 48/51/54/57cm
- Weight: 1100g/54cm
- Head tube: integrated 52mm/52mm
- Seat post: special shape (special clamp)
- Stem: 90/100/110/120mm
- Handlebar: 380/400/420/440mm
- BB shell: BB86
- Dropout: TA 12\*142mm
- Fork: TA 12\*100mm
- Brake: Flat mount
- Tire: 700C\*28C



### LCR015-D

SIZE	C-T	A	offset	TT	HT	ST	BB DROP	RC	WB	FC	RD	FD	STACK	REACH	H/T INSERT	BB INSERT
480	480	120	45	525	72.5	73.5	68	405	980	561.6	Inner	Inner	524	369	FSA NO.42/ACB	BB86
510	510	130	45	550	72.5	73.5	68	405	985	586.6			533	392.6		
540	540	150	45	570	73.5	72.5	68	405	985.5	590.2			553.8	395.4		
570	570	170	45	590	73.5	72	68	408	1002.6	604.2			571.2	404.3		

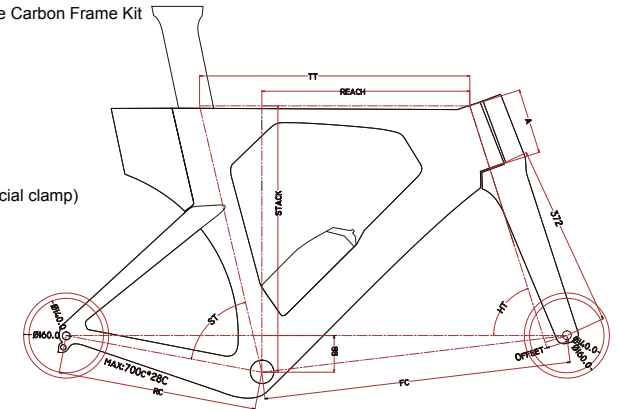
## LCTT05-D

### Triathlon



700C Super Aero Triathlon Disc Brake Carbon Frame Kit

- Finish: UD
- Size: 49/52/54/56/58cm
- Weight: 1800g/54cm
- Head tube: Integrated 42mm/42mm  
(Headset FSA NO.8B )
- Seat post: special shape 300mm(special clamp)
- BB shell: BB386
- Brake Type: Flat mount
- Disc Rotor:140-160mm
- HB-size: 420mm
- Stem-size: 100mm
- Tire: 700C\*28C



### LCTT05-D

SIZE	A	Offset	TT	HT	ST	BB DROP	RC	FC	STACK	REACH	RD	FD	POST	H/T INSERT	BB INSERT
49	110	43	507	70.5°	76°	75	410	584.8	495	384	Inner	Inner	Special 74°-78°	FSA NO:88ACB	BB386
52	130.5	43	513	71°	76°	75	410	586	506	387					
54	141	43	541	72.5°	76°	75	410	602	522	411					
56	160	43	570	72.5°	76°	75	410	631	540	435					
58	174.5	43	576	72.5°	76°	75	410	639	559	437					

**LCR015S-V**

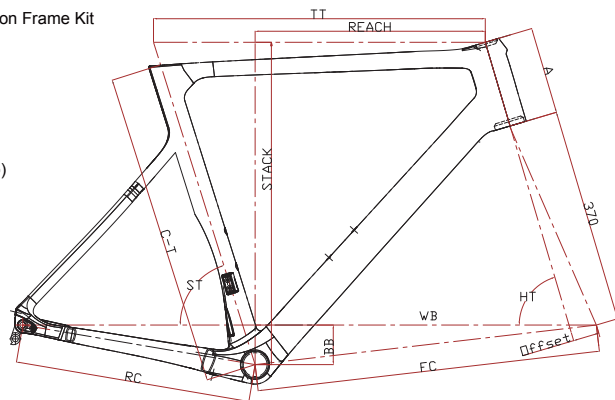
**Aero Race**

**Rim-Brake**



700C Aero Race Rim-Brake Road Carbon Frame Kit

- Finish: UD
- Size: 48/51/54/57cm
- Weight: 1100g/54cm
- Head tube: integrated 52mm/52mm
- Seat post: special shape (special clamp)
- Stem: 90/100/110/120mm
- BB shell: BB86
- Front brake: Shimano
- BR-9110/BR-8110/BR-7110-F
- Rear brake: Shimano
- BR-9110/BR-8110/BR-7110-S
- Tire: 700C\*28C



**LCR007-V**

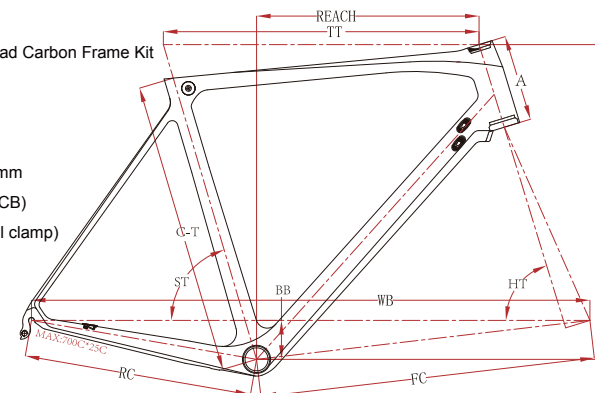
**Super Light**

**Rim-Brake**



700C Super Light Rim-Brake Road Carbon Frame Kit

- Finish: UD
- Size: 46/49/52/54/58cm
- Weight: 875g/52cm
- Head tube: integrated 52mm/52mm  
(Headset FSA NO.42 ACB)
- Seat post: special shape (special clamp)
- BB shell: BB86
- Tire: 700C\*25C



**LCR015S-V**

SIZE	C-T	A	offset	TT	HT	ST	BB DROP	RC	WB	FC	RD	FD	STACK	REACH	H/T INSERT	BB INSERT
480	480	120	45	525	72.5	73.5	68	405	980	561.6	Inner	Inner	524	369	FSA NO.42/ACB	BB86
510	510	130	45	550	72.5	73.5	68	405	985	586.6			533	392.6		
540	540	150	45	570	73.5	72.5	68	405	985.5	590.2			553.8	395.4		
570	570	170	45	590	73.5	72	68	408	1002.6	604.2			571.2	404.3		

**LCR007-V**

SIZE	C-T	A	TT	Stack	Reach	HT	ST	BB DROP	RC	WB	POST	H/T INSERT	BB INSERT
460	460	108	510	513.1	367.5	71.5	74.5	72	405	961.0	Special	FSA NO.42ACB	BB86
490	490	118	535	526	383.9	72.5	74	72	405	972.8			
520	520	153	560	558	394.5	73	73.5	69	405	990.1			
540	540	173	575	577	398.4	73.5	73	67	408	998.8			
580	580	218	600	620	398.3	73.5	72	67	408	1011.5			

**LCG073-D**

Gravel



700C Gravel Carbon Frame Kit With Micro Suspension System

Size Available: S/M/L

Cable Routing: Full Internal Cable Routing(For RB/FD/RD)

Grade Available: 1400g/Size M

Head Tube: Straight 1 1/2" head tube  
(upper 52mm lower 52mm)

Seat Post: 31.6x400mm

Stem: 90/100/110/120mm

Handlebar: 380/400/420/440mm

Bottom Bracket: BB86

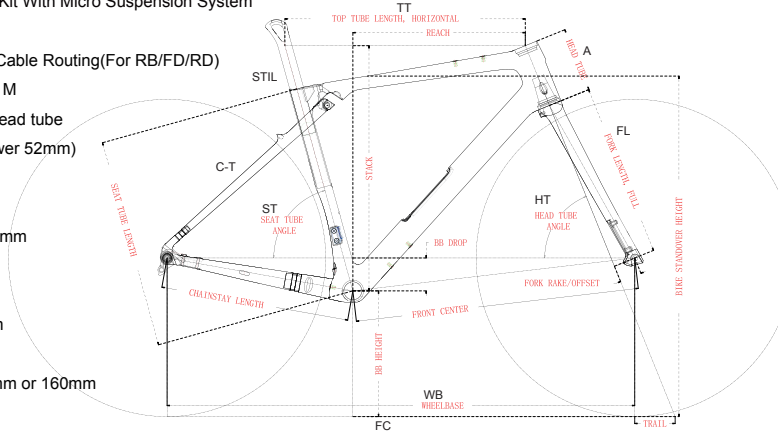
Tire Max: 700C\*47C

O.L.D: Rear TA  $\Phi$ 12\*142mm

Fork TA  $\Phi$ 12\*100mm

Disc Brake: Flat Mount 140mm or 160mm

Hanger: UDH



**LCG073-D**

SIZE	C-T	REACH	TT	STACK	WB	RC	FC	BB DROP	BB HEIGHT	ST	HT	STIL	A	Offset	FL	TRAIL	
S	447	374.8	530	541.2	1040.5	430	621.6	75	286	74°	68°	190	127	742.8	50	396	92
M	477	393	548	558.8	1065.8	430	646.7	75	286	74.5°	68°	220	147	776	50	396	92
L	507	408.6	576	583.8	1091.5	430	672.3	75	286	74°	68°	230	173	798.6	50	396	92

**LCG071-D**

Gravel



700C Gravel Carbon Frame Kit Light Weight

Size Available: 49/52/55/58cm

Cable Routing: Full Internal Cable Routing(For RB/FD/RD)

Grade Available: 980g/Size 52cm

Head Tube: Straight 1 1/2" head tube  
(upper 52mm lower 52mm)

Seat Post: 27.2x400mm

Stem: 90/100/110/120mm

Handlebar: 380/400/420/440mm

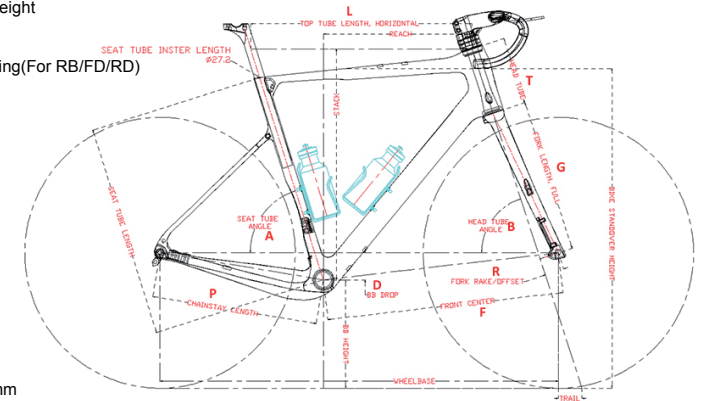
Bottom Bracket: BB86

Tire Max: 700C\*53C & 650B\*2.1

O.L.D: Rear TA  $\Phi$ 12\*142mm

Fork TA  $\Phi$ 12\*100mm

Disc Brake: Flat Mount 140mm or 160mm



**LCG071-D**

SIZE	L	A	B	F	P	T	BB DROP	Offset	G	BB Height	STACK	REACH	WB
490	535	73.5°	71°	693.8	430	120	70	50	397	285	542.6	374.1	1008.9
520	550	73°	71.5°	599.4	431	140	70	50	397	285	563.4	377.5	1014.5
540	575	72.5°	72°	614.5	432	175	70	50	397	285	598.6	386	1029.6
580	595	72.5°	72°	634.5	433	205	70	50	397	285	627.1	397.1	1049.8

## LCM914

29er XC



29er MTB Hardtail Light Weight XC Carbon Frame

Material: High modulus Toray T700 carbon fiber

Size: 15", 17", 19" (Medium, Large)

Weight: 15"=1130g / 17"= 1170g / 19"= 1200g

Head tube: Straight 1 1/2" head tube

Seat post: 27.2mm(31.8 clamp)

BB shell: BB92

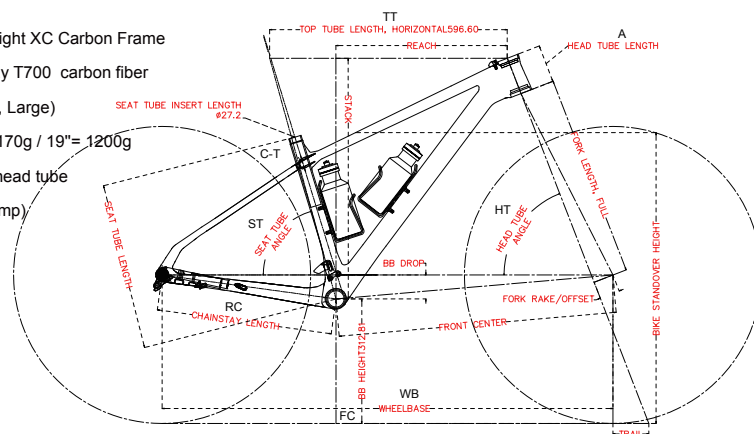
Dropout: TA 12\*148mm

Tire: 29er\*2.35"

Max Chaining: 36T

Chainline: 52mm

Hanger: UDH



### LCM914

SIZE	REACH	TT	STACK	WB	RC	FC	BB DROP	ST	HT	C-T	A	Offset	TRAIL
S	405	570	599	1102	438	699.3	60	74.6°	69°	393	90	51	88.4
M	430	596	604	1129.2	438	695.9	60	74.6°	69°	418	95	51	88.4
L	453	622	613	1156	438	722.6	60	74.6°	69°	458	105	51	88.4

## LCM909

29er XC



29er MTB Hardtail XC Carbon Frame

Finish: UD

Size: 15"/17"/19"

Weight: 1200g/17"

Head tube: integrated 42mm/52mm

(Headset FSA NO.42 ACB)

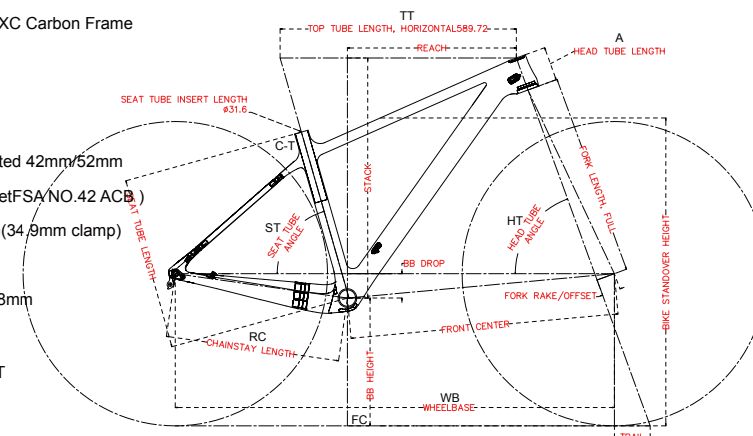
Seat post: 31.6mm(34.9mm clamp)

BB shell: BB92

Dropout: TA 12\*148mm

Tire: 29er\*2.35"

Max Chaining: 34T



### LCM909

SIZE	C-T	A	Offset	TT	Stack	Reach	HT	ST	BB DROP	RC	WB	POST
15	380	90	46	542	591.3	376	70°	74°	61	435	1048.6	31.6
17	431	90	46	595	599.4	422	70°	74°	61	435	1099	
19	483	95	46	625	610.4	451	70°	74°	61	435	1129.5	

## LCM908

29er XC



29er MTB Hardtail XC Carbon Frame

Finish: UD

Size: 15"/17"/19"/20.5"

Weight: 1150g/17"

Head tube: integrated 42mm/52mm  
(Headset FSA NO.42 ACB)

Seat post: 31.6mm(34.9mm clamp)

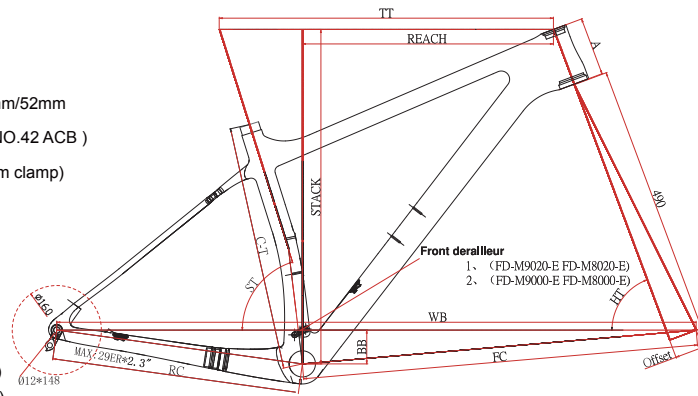
BB shell: BB92

Dropout: TA 12\*148mm

Tire: 29er\*2.35"

Max Chaining: 34T  
routing(For RB/FD/RD)

F.D: 1.(M9020-E M8020-E)  
2.(M9000-E M8000-E)



### LCM908

SIZE	C-T	A	Offset	TT	Stack	Reach	HT	ST	BB DROP	RC	WB	POST
15	390	105	51	580	600.4	430.7	69.5°	72.5°	60	445	1127.7	31.6
17	440	105	51	600	600.4	450.7	69.5°	72.5°	60	445	1147.7	
19	480	115	51	620	609.8	467.7	69.5°	72.5°	60	445	1168.2	
20.5	530	125	51	640	619.1	484.8	69.5°	72.5°	60	445	1188.8	

## DH209

27.5er Downhill



27.5er Downhill Full Suspension Carbon Frame

Finish: UD

Size: 17.5"/19"

Weight: 4250g/17.5"

Head tube: Integrated 1 1/2 head tube

Seat post: 30.9mm

Max Compatible Chaining: 34T

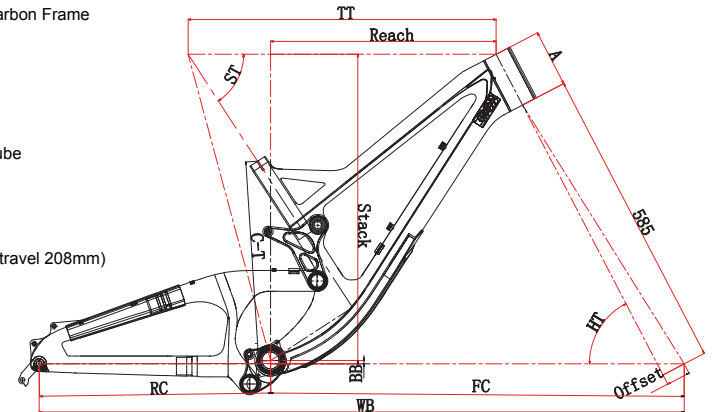
Rear shock size: 240\*76mm (Rear travel 208mm)

Rear Travel: 208mm

Dropout: TA12\*150mm

Bottom Bracket: BSA 83mm

Tire: 650B\*2.5"



### DH209

SIZE	C-T	A	offset	TT	HT	ST	BB DROP	RC	WB	FC	STACK	REACH
M	384	105	46	566.5	63	57	6.4	450	1213	763	587.6	408.7
L	384	105	46	592	62	57	6.4	450	1240	795	595.3	433.5

**LCFS918**

29er XC



29er XC Full Suspension Carbon Frame Hidden Cable Routing

Size Available: S/M/L

Material: High modulus Toray T700 +T800 carbon fiber

Weight: 1950g/M

Head Tube: Straight 1 1/2" head tube

Front Travel: 100~120mm

Rear Travel: 110mm

Head Tube: Straight 1 1/2" head tube

Seatpost Diameter: 31.6mm(34.9 clamp)

Bottom Bracket: Threaded BSA 73 (BC1.37\*24T)

Max Tire Clearance: 29er\*2.35"

Max Chainring: 36T (30T/32T/34T/36T)

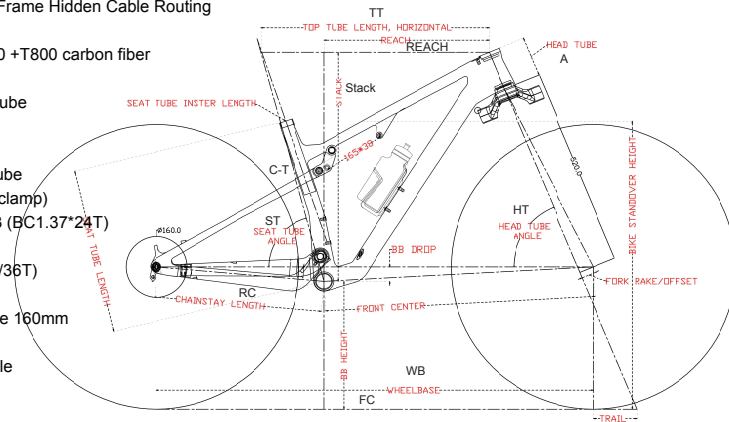
Chainline: 52mm

Brake Type: Post Mount Disc brake 160mm

Rear Shock: Mount 165\*38mm

Dropout: 12\*148mm Boost thru axle

Hanger: UDH



**LCFS918**

SIZE	REACH	TT	STACK	WB	RC	FC	BB DROP	ST	HT	C-T	A	Offset	TRAIL
S	410	570	597	1131	438	722.7	38	74.75°	67.5°	382	95	51	113.7
M	435	598.8	597	1160	438	723	38	74.75°	67.5°	432	105	51	113.7
L	460	625.2	606	1188.9	438	751.5	38	74.75°	67.5°	470	115	51	113.7

**LCFS919**

29er XC



29er XC Full Suspension Carbon Frame Hidden Cable Routing

Finish:UD

Size: S/M/L

Weight: 1960g/M

Head tube: Straight 1 1/2" head tube

Seat post: 31.6 (34.9mm clamp)

BB shell: BB92

Rear shock size: 165\*40(45)mm (trunnion mount )

Front Travel: 100-120mm

Rear Travel: 100-120mm

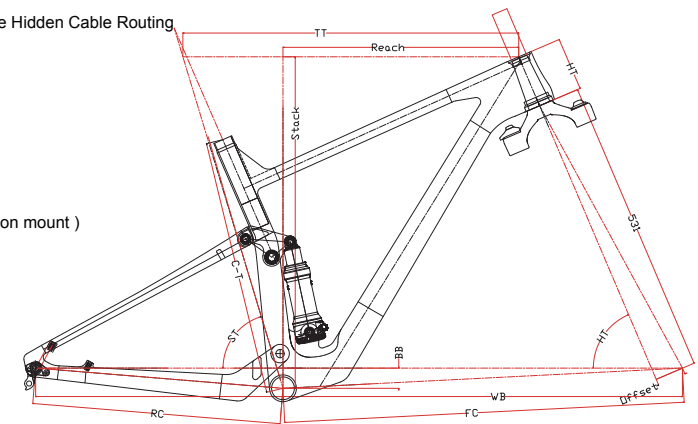
Dropout: TA12\*148mm

Disc rotor size: 160mm

Tire: 29er\*2.35"&650B\*2.8"

Max Chainring: 34T

Hanger: UDH



**LCFS919**

SIZE	C-T	A	offset	TT	HT	ST	BB DROP	RC	WB	FC	STACK	REACH
S	410	95	51	570	67°	73°	36	443	1126	685	592	391
M	457	95	51	600	67°	73°	36	443	1155.5	714.6	592.3	421.2
L	500	110	51	630	67°	73°	36	443	1186	745	601.4	448

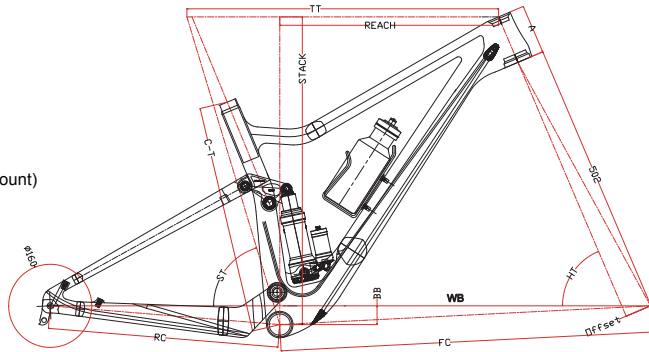
**LCFS911**

**29er XC**



29er XC Full Suspension Carbon Frame Internal Cable Routing

Finish:UD  
 Size: S/M/L  
 Weight: 1970g/M  
 Head tube: Integrated 42mm/52mm  
 (Headset FSA NO.42ACB )  
 Seat post: 31.6 (34.9mm clamp)  
 BB shell: BB92  
 Rear shock size: 165\*40mm (trunnion mount)  
 Front Travel: 100-120mm  
 Rear Travel: 100mm  
 Dropout: TA 12\*148mm  
 Disc rotor size: 160mm  
 Tire: 29er\*2.35" & 650B\*2.8"  
 Max Chainring: 34T



LCFS911													
SIZE	C-T	A	offset	TT	HT	ST	BB DROP	RC	WB	FC	STACK	REACH	
S	410	95	51	567	67°	73°	36	443	1122.5	681.5	592	393.2	
M	440	95	51	600	67°	73°	36	443	1155.5	718.5	592.3	424.2	
L	490	105	51	630	67°	73°	36	443	1186.7	745.7	601.3	454.2	

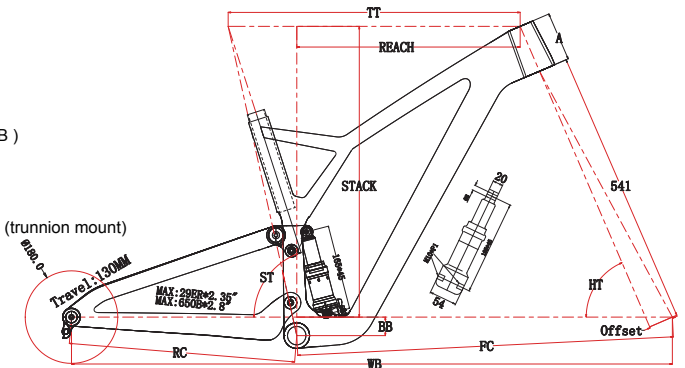
**LCFS958**

**29er Trail**



29er Trail Full Suspension Carbon Frame

Finish:UD  
 Size: M/L/XL  
 Weight: 2400g/17.5"  
 Head tube: Integrated 42mm/52mm  
 (Headset FSA NO.42ACB )  
 Seat post: 31.6 (37mm clamp)  
 BB shell: BSA-73  
 Rear shock size: 165\*45/165\*40mm (trunnion mount)  
 Front Travel: 130mm  
 Rear Travel: 130mm  
 Dropout: TA 12\*148mm  
 Disc rotor size: 180mm  
 Tire: 29er\*2.35" & 650B\*2.8"  
 ISCG-05 chain guide mount



LCFS958																
SIZE	C-T	A	offset	TT	HT	ST	BB DROP	RC	WB	FC	RD	RB	POST	STACK	REACH	
M	440	95	51	590	67	76	36	444.5	1178	736	Inner	Inside	31.6	566	440	
L	480	110	51	623	67	76	36	444.5	1214	772				579	470	
XL	520	125	51	658	67	76	36	444.5	1250	807				593	500	



**LCFS947**

**Enduro**



29er Enduro Full Suspension Carbon Frame

Size Available: M/L/XL

Cable Routing: Internal Cable Routing

Grade Available: 2750g/L

Head Tube: (Integrated 44mm/56mm) FSA No.57ACB

Seat Post:  $\Phi 31.6\text{mm}$

Bottom Bracket: BSA-73mm (BC1.37\*24T)

(Compatible with ISCG-05 chain guide)

Tire Max: 29er \*2.6" & 650B\*3.0"

Dropout: TA 12\*148mm

185\*55/185\*50mm (trunnion mount)

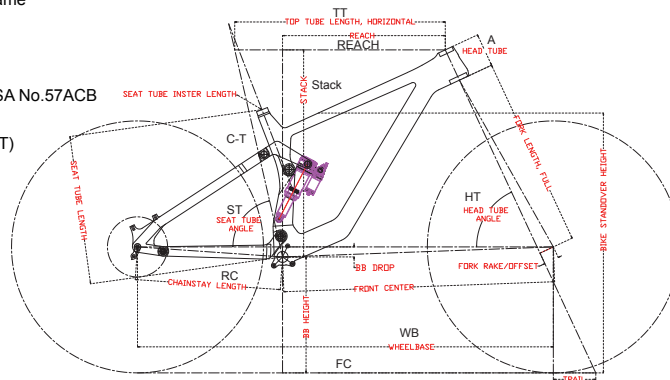
Front Travel: 160~170mm

Rear Travel: 160mm

Disc Brake: Post Mount 180mm

Max Chaining: 32T

Hanger: UDH



**LCFS947**

SIZE	C-T	A	offset	TT	HT	ST	BB DROP	RC	WB	FC	BB HEIGHT	Standover Height (29er/2.6")	Fork Length	STACK	REACH
M	410	95	44	600	65°	77°	30	435	1213.4	780	347	761.6	571	615	458
L	445	100	44	630	65°	77°	30	435	1244.3	810.9	347	777.6	571	620	487
XL	485	110	44	650	65°	77°	30	435	1266.8	833.3	347	795.3	571	629	505

**LCFS948**

**Enduro**



29er Enduro Full Suspension Carbon Frame

Size Available: M/L

Cable Routing: Internal Cable Routing

Grade Available: 2750g/L

Head Tube: (Integrated 44mm/56mm) FSA No.57ACB

Seat Post:  $\Phi 31.6\text{mm}$

Bottom Bracket: BSA-73mm (BC1.37\*24T)

Tire Max: 29er \*2.6" & 650B\*3.0"

Dropout: TA 12\*148mm

Shock size: 210\*55mm (standard mount)

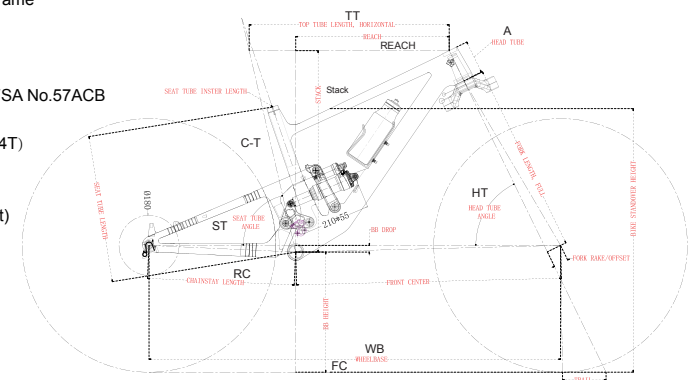
Front Travel: 170~180mm

Rear Travel: 170mm

Disc Brake: Post Mount 180mm

Max Chaining: 36T

Hanger: UDH



**LCFS948**

SIZE	C-T	REACH	TT	STACK	WB	RC	FC	BB DROP	BB HEIGHT	ST	HT	STIL	A	Standover Height (29er/2.6")	Offset	FL	TRAIL
M	180	460	599.4	603.8	1233.2	440	793.9	20	350	77°	64°	440	100	774.6	44	570	130
L	200	495	636	639	1270.9	440	812.4	20	350	77°	64°	480	115	791.6	44	570	130

**HBR05**



**Carbon Road Aero Handlebar**

Material: full carbon  
 Size: 38/40/42/44cm  
 Reach: 85mm  
 Drop: 130mm  
 Clamp Diameter: 31.8mm  
 Weight: 268±10g

**HBR12**



**Carbon Road Aero Handlebar**

Material: full carbon  
 Size: 38/40/42/44cm (Center to Center)  
 Reach: 64mm  
 Drop: 126mm  
 Clamp Diameter: 31.8mm  
 Weight: 260±10g (40cm)

**HBR11**



**Carbon Road Integrated Bar/Stem**

Size: 38/40/42/44cm (Center to Center)  
 Stem: 90/100/110/120 mm  
 Reach: 82mm  
 Drop: 125mm  
 Steerer tube Diameter: 28.6mm  
 Weight: 380g±10g (420x100)

**HBR13**



**Super Light Carbon Road Integrated Bar/Stem**

Size: 38/40/42cm (Center to Center)  
 Stem: 90/100/110/120 mm  
 Reach: 77mm  
 Drop: 127mm  
 Steerer tube Diameter: 28.6mm  
 Weight: 315±10g (420x100)

**HBR08**



**Carbon Gravel Integrated Bar/Stem**

Size: 38/40/42/44cm (Center to Center)  
 Stem: 90/100/110/120 mm  
 Reach: 82mm  
 Drop: 125mm  
 Steerer tube Diameter: 28.6mm  
 Weight: 430±10g (420x100)

**AM12**



**Carbon MTB Bar/Stem Combo For AM**

Rise: 0mm  
 Max Length: 810mm  
 Stem: 40/50/60mm  
 Up sweep: 5 degree  
 Back sweep: 7 degree  
 Stem angle: -5 degree  
 Weight: 320±10g (810\*50mm)

**XC11**



**Carbon MTB Bar/Stem Combo For XC**

Rise: 0mm  
 Max Length: 740mm  
 Stem: 80/90/100/110mm  
 Up sweep: 5 degree  
 Back sweep: 7 degree  
 Offset: 7.1mm  
 Stem angle: -17 degree  
 Weight: 280±10g (740x90mm)

**XC14**



**Carbon MTB Bar/Stem Combo For XC**

Rise: 0mm  
 Max Length: 760mm  
 Stem: 80/90/100/110mm  
 Up sweep: 5 degree  
 Back sweep: 8 degree  
 Offset: 7.1mm  
 Stem angle: -17 degree  
 Weight: 294±10g (760x90mm)

**XC01**



**Carbon MTB Flat Bar For XC**

Material: full carbon  
 Barbore OD: 31.8mm  
 Max Length: 750mm  
 Upsweep: N/A  
 Backsweep: 9°  
 Rise: N/A  
 Weight: 190±10g

**XC02**



**Carbon MTB Rise Bar For XC**

Material: full carbon  
 Barbore OD: 31.8mm  
 Max Length: 820mm  
 Upsweep: 4°  
 Backsweep: 6°  
 Rise: 15mm  
 Weight: 200±10g

**XC03**



**Carbon MTB Rise Bar For XC**

Material: full carbon  
 Barbore OD: 31.8mm  
 Max Length: 800mm  
 Upsweep: 5°  
 Backsweep: 9°  
 Rise: 20mm  
 Weight: 220±10g

**DH06**



**Carbon MTB Rise Bar For DH**

Material: full carbon  
 Barbore OD: 35mm  
 Max Length: 830mm  
 Upsweep: 5°  
 Backsweep: 9°  
 Rise: 30mm  
 Weight: 260±5g

**AM04**



**Carbon MTB Rise Bar For AM**

Material: full carbon  
 Barbore OD: 35mm  
 Max Length: 800mm  
 Upsweep: 5°  
 Backsweep: 9°  
 Rise: 20mm  
 Weight: 230±10g

**AM05**



**Carbon MTB Rise Bar For AM**

Material: full carbon  
 Barbore OD: 35mm  
 Max Length: 800mm  
 Upsweep: 5°  
 Backsweep: 9°  
 Rise: 25mm  
 Weight: 230±5g

**BC205**



**Carbon Bottle Cage**

Material: full carbon fiber  
 Finish: UD/3K, matt/gloss  
 Weight: 21±2g

**ST08**



**Carbon Bicycle Stem**

Material: full carbon  
 Stack height: 40mm  
 Length: 80/90/100/110mm  
 Weight: 120g  
 Steer ID: 28.6mm  
 Handlebar ID: 31.8mm  
 Angle: ±6°

**SP01-27.2 / 31.6**



**Carbon Seat Post**

Material: full carbon  
 Barbore OD: 27.2 / 31.6mm  
 Length: 400mm  
 Offset: 0  
 Weight: 195±5g

**SP02-27.2 / 31.6**



**Carbon Seat Post**

Material: full carbon  
 Barbore OD: 27.2 / 31.6mm  
 Length: 400mm  
 Offset: 25  
 Weight: 190±5g

**SP03-27.2 / 31.6**



**Carbon Seat Post**

Material: full carbon  
 Barbore OD: 27.2 / 31.6mm  
 Length: 381mm / 400mm  
 Offset: 15mm / 0mm  
 Weight: 191±5g / 215±5g